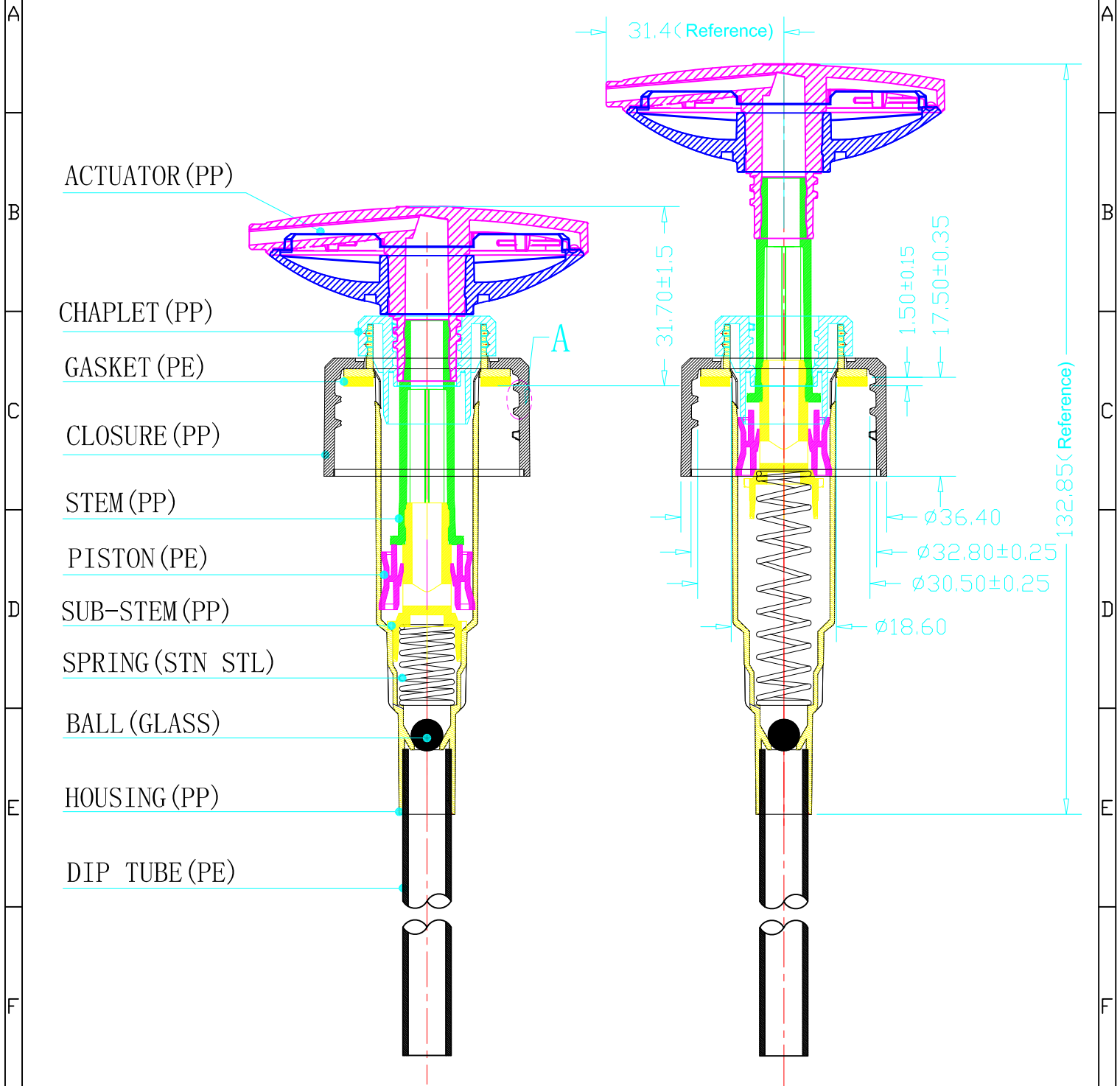
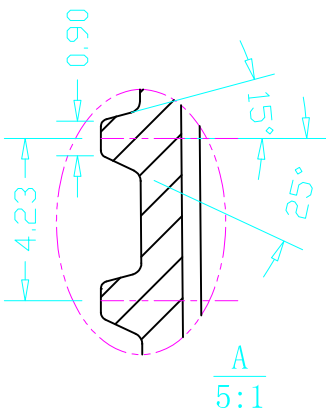


STYLE No. : L509YNS-33/410A6



Unmarked Tolerance ±0.5mm



				All Rights Reserved			
				Item	L509YNS-33/410A6	Material	
				Dwg No.	L509YNS-33/410A6-A01	Version	A0
				Mould No.		Quantity	
				Drawing	E:\L509	Plastic	
				Design	ZENGQIKUN20200312	Cav	
				Adult		Unit	mm
				Approval		Rate	1:1
Marker	Before modification	After modification	Date	Approval		Visual angle	⊕
						Total	1 page(s)
						The 1st page	

CLC 联昌